

POWERTRACK INTERNATIONAL

"HOSE PRODUCTS FOR INDUSTRY"

Concrete Pumping Hose Products



Premium Fabric and Steel Reinforced Concrete Hose
Cobra Concrete Hose ~ Contractor's Water Hose Assemblies
Jackhammer Hose Assemblies ~ Bulk Red Air Hose Assemblies
Pressure Washer Hose Assemblies ~ Air Tool Hose Assemblies
Yellow Wire Air Hose ~ Single and Double Jacket Contractor's Fire Hose
PVC Suction Standard Duty Hose ~ Layflat Blue and Layflat Red Jacket Hose
Sandblast Hose ~ Elbows ~ Reducers ~ Concrete Hose Clamps ~ Weld-On
Adapters ~ Concrete Hose Gaskets ~ Cam and Groove ~ Universal Hose
Couplings ~ Fire Hose Couplings ~ Garden Hose Couplings ~ Shank Hose
Couplings ~ Sandblast Hose Couplings ~ Metric Hydraulic Hose Kits
Spongs Balls ~ Hydrant Adapters ~ Hydrant Wrenches ~ Metric Adapters
Metric I.D. Kit ~ Concrete End Fittings ~ American Adapters ~ Nozzles

38

POWERTRACK INTERNATIONAL

Years of Dedicated Service
in the Hose Products
Industry

www.powertrackhose.com

1-800-365-1577

sales@powertrackhose.com

THREE CONVENIENT LOCATIONS NATIONWIDE



**4625 Campbells Run Rd.
Pittsburgh, PA 15205
1-800-365-1577
Phone: (412) 787-4444
Fax: (412) 787-8520**

**13225 FM 529, Bldg. #E
Houston, TX 77041
1-800-937-2269
Phone: (713) 466-1745
Fax: (713) 466-3716**

**721 W. 15th St.
Long Beach, CA 90813
1-800-925-3414
Phone: (562) 436-9088
Fax: (562) 436-5700**

www.powertrackhose.com
sales@powertrackhose.com

**DUE TO CONTINUAL PRODUCT IMPROVEMENTS,
POWERTRACK INTERNATIONAL, INC. RESERVES THE RIGHT TO
ALTER SPECIFICATIONS WITHOUT PRIOR NOTICE.**

TABLE OF CONTENTS

Premium Fabric Reinforced Concrete Hose	1
Premium Steel Reinforced Concrete Hose	1
Cobra Fabric Reinforced Concrete Hose	2
Yellow Jacket Fabric Reinforced Concrete Pumping Hose	2
PT45 Rubber Cover / Trimmy Hose	3
Placement Pipe	3
Gunite Hose	4
Metric Hydraulic Hose Kits	5
Metric ID Kits	5
Custom Hydraulic Hose Assemblies	6
Concrete Hose Clamps	7
Concrete Hose Gaskets	7
Elbows	8
Standard	8
Reducing	8
Reducers	8
Weld-On Adapters	8
Sponge Balls	9
Primer	9
Shotcrete Nozzle Assemblies	9
Wall Hooks	9
Hose Grips	9
Single & Dual Lift Eye Grips	9
Cord Cap Grip	9
Jackhammer Hose Assemblies	10
Air Tool Hose Assemblies	10
Yellow Wire Air Hose	11
Contractor's Water Hose Assemblies	11

Premium Fabric Reinforced Concrete Hose



Powertrack's *Premium Fabric Reinforced Concrete Hose* is designed for concrete pumping. It is constructed with an abrasion-resistant rubber lining and fabric reinforcements. The cover is abrasion, weather, and ozone-resistant SBR/EPDM black rubber. The recommended temperature range is -30°F to +158°F.

Premium Fabric Reinforced Concrete Hose Specifications:

Part Number	I.D. Inch	O.D. Inch	W.P. (psi)	B.P. (psi)	Plies of Rein.	Lbs./ft.
Premium-Fabric-24	1-1/2"	2.20	1200	2400	4	1.04
Premium-Fabric-32	2"	2.80	1200	2400	4	1.41
Premium-Fabric-40	2-1/2"	3.37	1200	2400	4	2.04
Premium-Fabric-48	3"	4.02	1000	2200	4	2.75
Premium-Fabric-56	3-1/2"	4.57	1000	2200	4	3.47
Premium-Fabric-64	4"	5.16	1000	2200	4	3.98
Premium-Fabric-72	4-1/2"	5.67	550	1650	8	4.50

Available fittings are: Victaulic 1-1/4" to 2", NPT and Heavy-Duty- all sizes.

Premium Steel Reinforced Concrete Hose



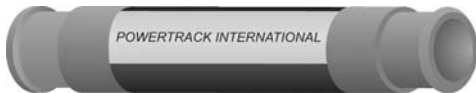
Powertrack's *Premium Steel Reinforced Concrete Hose* is designed for concrete pumping. It is constructed with an abrasion-resistant rubber lining and high-tensile steel wire reinforcements. The cover is abrasion, weather, and ozone-resistant SBR/EPDM black rubber. The recommended temperature range is -40°F to +158°F.

Premium Steel Reinforced Concrete Hose Specifications:

Part Number	I.D. Inch	O.D. Inch	W.P. (psi)	B.P. (psi)	Plies of Rein.	Lbs./ft.
Premium-Steel-32	2"	2.68	1300	2800	2	1.71
Premium-Steel-40	2-1/2"	3.35	1300	2800	4	2.54
Premium-Steel-48	3"	3.94	1300	2800	4	3.38
Premium-Steel-64	4"	5.04	1300	2800	4	5.68
Premium-Steel-80	5"	6.10	1300	2600	4	6.46

Available fittings are: Heavy-Duty- all sizes and 5" Metric.

Cobra Fabric Reinforced Concrete Hose



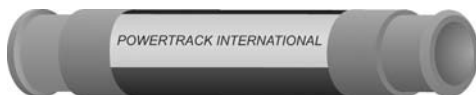
Powertrack's **Cobra Fabric Reinforced Concrete Hose** is constructed using a smooth, highly abrasion-resistant rubber lining and high-tensile textile cord reinforcements. The cover is smooth, abrasion and weather-resistant rubber. The recommended temperature range is -30°F to +158°F.

Cobra Fabric Reinforced Concrete Hose Specifications:

Part Number	I.D. Inch	O.D. Inch	W.P. (psi)	B.P. (psi)	Plies Rein.	Lbs./ft.
Cobra-20	1-1/4"	1.93	1200	2400	4	0.83
Cobra-24	1-1/2"	2.20	1200	2400	4	1.04
Cobra-32	2"	2.80	1200	2400	4	1.41
Cobra-40	2-1/2"	3.37	1200	2400	4	2.04
Cobra-48	3"	4.02	1000	2200	4	2.75
Cobra-56	3-1/2"	4.57	1000	2200	4	3.47
Cobra-64	4"	5.16	1000	2200	4	3.98
Cobra-72	4-1/2"	5.67	550	1650	4	4.50

Available fittings are: Victaulic 1-1/4" to 2", NPT and Heavy-Duty- all sizes.

Yellow Jacket Fabric Reinforced Concrete Pumping Hose



Designed for concrete pumping, Powertrack International's **Yellow Jacket Fabric Reinforced Concrete Pumping Hose** contains an abrasion-resistant rubber inner tube and durable fabric reinforcements. The cover is composed with abrasion, weather, and ozone-resistant NR/SBR black rubber. The recommended temperature range is -40°F to +158°F.

Yellow Jacket Specifications:

Part Number	I.D. Inch*	O.D. Inch*	W.P. (psi)	B.P. (psi)	Plies Rein.	Lbs./ft.
Yellowjacket-32	2"	2.80	1000	3500	6	1.48
Yellowjacket-40	2-1/2"	3.37	1000	3150	6	1.88
Yellowjacket-48	3"	4.02	1000	3000	8	3.02
Yellowjacket-56	3-1/2"	4.57	1000	3000	6	3.70
Yellowjacket-64	4"	5.16	1000	2500	8	4.37

*I.D. & O.D. are +/- .04".

Available fittings are: Victaulic 1-1/4" to 2", NPT and Heavy-Duty- all sizes.

PT45 Rubber Cover / Trimmy Hose

**NEW
 PRODUCT**



Powertrack's **PT45 Rubber Cover / Trimmy Hose** is constructed of high-tensile synthetic-woven yarn fused in tough abrasion-resistant, seamless synthetic nitrile rubber. The PT45 Rubber Cover / Trimmy hose is resistant to abrasion, cold, heat, and ozone and is also resistant to alcohols and hydrocarbons. Available in Hi-Visibility yellow. Other colors also available upon request. The temperature range is -35°F to +200°F intermittent.

Hydrostatic Pressure Test:

Black Part Number	Yellow Part Number	Diameter	Service Test Pressure (psi)	Acceptance Test Pressure (psi)	Burst Pressure (psi)
PT45-BK-24	PT45-YL-24	1-1/2"	250	500	800
PT45-BK-28	PT45-YL-28	1-3/4"	250	500	800
PT45-BK-32	PT45-YL-32	2"	250	500	750
PT45-BK-40	PT45-YL-40	2-1/2"	250	500	750
PT45-BK-48	PT45-YL-48	3"	250	500	750
PT45-BK-64	PT45-YL-64	4"	250	500	750
PT45-BK-80	PT45-YL-80	5"	200	400	600

PT45 Rubber Cover Hose is coupled with one internally expanded heavy-duty fitting. Consult Powertrack International for other available lengths and styles.

This hose is to be used as a drop hose only for the concrete pumping industry.

Placement Pipe



Powertrack's **Placement Pipe** is available with a variety of wall thicknesses, both hardened and non-hardened and is supplied with heavy-duty fittings. Other end types are available upon request.

Gunite Hose

Powertrack's **Gunite Hose** is designed for pumping cement and dry sand. It is constructed with an SBR, tan, non-marking, abrasion and ozone-resistant cover and a tan rubber tube. Reinforcement consists of high-tensile textile cords with anti-static wire. The recommended temperature range is -22°F to +176°F.



Gunite Hose Specifications:

Part Number	I.D. (inch)	O.D. (inch)	Plies of Rein.	Working Pressure (psi)	Lbs./ft.
PT-GUNITE-16	1"	1.62	4	150	0.76
PT-GUNITE-20	1-1/4"	1.95	4	150	0.88
PT-GUNITE-24	1-1/2"	2.30	4	150	1.10
PT-GUNITE-32	2"	2.80	4	150	1.65
PT-GUNITE-40	2-1/2"	3.33	4	150	2.30

Brass, Swivel, and Flanged Couplings are available for the Gunite Hose.



Brass Hose Couplings



Swivel Hose Couplings



Flanged Couplings

Metric Hydraulic Hose Kits

Hydraulic Hose Kit For Schwing Concrete Pumps	Hydraulic Hose Kit For Putzmeister Concrete Pumps
<p>Hoses Included:</p> <ol style="list-style-type: none"> 1. (1pc.) 3/8" Braided Hose, 14 feet, coupled L12 2. (1pc.) 1/2" Spiral Hose, 7 feet, coupled S16 3. (1pc.) 5/8" Spiral Hose, 7 feet, coupled S20 4. (1pc.) 3/4" Spiral Hose, 7 feet, coupled S25 5. (1pc.) 1-1/4" Spiral Hose, 7 feet, coupled S38 	<p>Hoses Included:</p> <ol style="list-style-type: none"> 1. (1pc.) 1/4" Braided Hose, 20 feet, coupled L8 2. (1pc.) 1/4" Braided Hose, 20 feet, coupled L10 3. (1pc.) 3/8" Braided Hose, 20 feet, coupled L12 4. (1pc.) 1/2" Spiral Hose, 18 feet, coupled L15 5. (1pc.) 5/8" Spiral Hose, 18 feet, coupled L18 6. (1pc.) 3/4" Spiral Hose, 18 feet, coupled S25 7. (1pc.) 1" Spiral Hose, 18 feet, coupled S30 8. (1pc.) 1-1/4" Spiral Hose, 10 feet, coupled S38

Custom hydraulic hose available upon request. All end configurations and adapters available as well.

Metric I.D. Kits

Part Number	Description of Items Included in Kit
PTK-1581P ID Kit	Complete Cap and Plug Kit for Putzmeister Concrete Pumps
PTK-1581S ID Kit	Complete Cap and Plug Kit for Schwing Concrete Pumps

All kits contain metal plugs or caps in polypropylene clear boxes with ID labels for easy identification.

Customize Your Hydraulic Hose Assembly

How to Order Custom Hose Assemblies:

1. Choose hose I.D.
2. Choose working pressure
3. Pick fitting "A" for left side of hose
4. Pick fitting "B" for right side of hose
5. Choose the overall length
6. Call Powertrack

Part Number	Working Pressure (psi) of Hydraulic Hoses										
	Hose I.D.	1/4"	5/16"	3/8"	1/2"	5/8"	3/4"	1"	1-1/4"	1-1/2"	2"
R1T		2,750	2,500	2,250	2,000	1,500	1,250	1,000	625	500	375
R2T		5,000	4,250	4,000	3,500	2,750	2,250	2,000	1,625	1,250	1,125
1SN		3,265	3,120	2,610	2,320	1,890	1,525	1,275	915	725	580
2SN		5,800	5,100	4,800	4,000	3,600	3,100	2,400	1,800	1,300	1,160
R16		5,000		4,000	3,500	2,750	2,250	2,000			
R17		3,045		3,045	3,045	3,045	3,045	3,045			
R12					4,000		4,000	4,000	3,000	2,500	2,500
R9R		7,000		6,450	6,015	5,100	5,100	4,400	4,000	3,700	3,000
4SH							6,090	5,510	5,075	4,205	3,625
R13							5,000	5,000	5,000	5,000	5,000
R15							6,000	6,000	6,000	6,000	

Available Fittings From Which To Customize Your Hose:

- | | |
|---|--|
| <p>MP - Male NPT Solid
 MPX - Male NPT Swivel
 FP - Female NPT Solid
 FPX - Female NPSM Swivel
 FJX - Female JIC Swivel
 FJX45 - Female JIC Swivel 45° Elbow
 FJX90 - Female JIC Swivel 90° Elbow
 FJX90L - Female JIC Swivel 90° Elbow- Long Drop
 MJ - Male JIC Solid- 37° Flare
 MS - Male SAE Solid- 45° Flare
 FSX - Female SAE 45° Flare Swivel
 FSX90 - Female SAE 45° Flare Swivel- 90° Elbow
 FG - Female Grease Thread Solid- 1/2"-27
 MORF - Male O Ring Face Seal
 ORFS - Female O Ring Face Seal
 ORFS45 - Female O Ring Face Seal- 45° Elbow
 ORFS90 - Female O Ring Face Seal- 90° Elbow
 ORFS90L - Female O Ring Face Seal- 90° Elbow- Long Drop
 ORB - Male O Ring Boss
 SFL - SAE Flange- Low Pressure (Code 61)
 SFL45 - SAE Flange 45° Elbow- Low Pressure (Code 61)
 SFL60 - SAE Flange 60° Elbow- Low Pressure (Code 61)
 SFL90 - SAE Flange 90° Elbow- Low Pressure (Code 61)
 SFH - SAE Flange- High Pressure (Code 62)
 SFH45 - SAE Flange 45° Elbow- High Pressure (Code 62)
 SFH90 - SAE Flange 90° Elbow- High Pressure (Code 62)</p> | <p>MIX - Male Inverted Swivel
 MIX45 - Male Inverted Swivel 45° Elbow
 MIX90 - Male Inverted Swivel 90° Elbow
 FBXF - Female British Swivel- Flat Face
 FBX - Female British Swivel
 FBX45 - Female British Swivel 45° Elbow
 FBX90 - Female British Swivel 90° Elbow
 FBX90c - Female British Swivel 90° Elbow- Compact Type
 MBP - Male British Parallel
 MBT - Male British Taper
 DKOL - Female Metric Swivel- Light Series
 DKOL45 - Female Metric Swivel 45° Elbow- Light Series
 DKOL90 - Female Metric Swivel 90° Elbow- Light Series
 DKOS - Female Metric Swivel- Heavy Series
 DKOS45 - Female Metric Swivel 45° Elbow- Heavy Series
 DKOS90 - Female Metric Swivel 90° Elbow- Heavy Series
 CEL - Male Metric- Light Series
 CES - Male Metric- Heavy Series
 FJIX - Female Swivel- Japanese Industrial Standard
 FKX - Female Swivel- Japanese Komatsu Type
 SFK - Split Flange- Komatsu Type
 SFK45 - Split Flange 45° Elbow- Komatsu Type
 SFK90 - Split Flange 90° Elbow- Komatsu Type
 PW - Pressure Washer
 KW - Pressure Washer Kaercher</p> |
|---|--|

Concrete Hose Clamps

Part Number	System I.D. Size Inch	End Type	Weight Lbs.
SC15RG	1-1/2"	Heavy-Duty	2.45
SC20RG	2"	Heavy-Duty	3.50
SC25RG	2-1/2"	Heavy-Duty	3.80
SC30RG	3"	Heavy-Duty	4.70
SC40RG	4"	Heavy-Duty	9.50
SC50RG	5"	Heavy-Duty	11.80
SC30ADJ	3"	Heavy-Duty Adjustable	7.00
SC40ADJ	4"	Heavy-Duty Adjustable	11.00
SC50ADJ	5"	Heavy-Duty Adjustable	12.00



Heavy-Duty Snap Couplings for concrete pumping systems.

*Victaulic and Metric Clamps available upon request.

Concrete Hose Gaskets

Part Number	System I.D. Size Inch	End Type	Weight Lbs.
G20HD	2"	Heavy-Duty	0.12
G25HD	2-1/2"	Heavy-Duty	0.12
G30HD	3"	Heavy-Duty	0.16
G40HD	4"	Heavy-Duty	0.28
G50HD	5"	Heavy-Duty	0.30



Heavy-Duty Gaskets for concrete pumping systems.

*Victaulic and Metric Gaskets available upon request.

Elbows ~ Standard and Reducing

Part Number	Arc	Description
CE-20HX20H-45	45°	2" Heavy-Duty x 2" Heavy-Duty Elbow
CE-20HX20H-90	90°	2" Heavy-Duty x 2" Heavy-Duty Elbow
CE-25HX25H-45	45°	2-1/2" Heavy-Duty x 2-1/2" Heavy-Duty Elbow
CE-25HX25H-90	90°	2-1/2" Heavy-Duty x 2-1/2" Heavy-Duty Elbow
CE-30HX30H-45	45°	3" Heavy-Duty x 3" Heavy-Duty Elbow
CE-30HX30H-90	90°	3" Heavy-Duty x 3" Heavy-Duty Elbow
CE-40HX40H-45	45°	4" Heavy-Duty x 4" Heavy-Duty Elbow
CE-40HX40H-90	90°	4" Heavy-Duty x 4" Heavy-Duty Elbow
CE-50HX30H-90	90°	5" Heavy-Duty x 3" Heavy-Duty Reducing Elbow
CE-50HX40H-90	90°	5" Heavy-Duty x 4" Heavy-Duty Reducing Elbow
CE-50MX40H-90	90°	5" Metric x 4" Heavy-Duty Reducing Elbow



*Manganese Steel

Reducers

Part Number	Length	Description
CR-20HX15H	15"	2" Heavy-Duty x 1-1/2" Heavy-Duty Reducer
CR-25HX20H	18"	2-1/2" Heavy-Duty x 2" Heavy-Duty Reducer
CR-25HX20H	36"	2-1/2" Heavy-Duty x 2" Heavy-Duty Reducer
CR-25HX20V	36"	2-1/2" Heavy-Duty x 2" Victaulic Reducer
CR-30HX20H	12"	3" Heavy-Duty x 2" Heavy-Duty Reducer
CR-30HX20H	36"	3" Heavy-Duty x 2" Heavy-Duty Reducer
CR-30HX25H	36"	3" Heavy-Duty x 2-1/2" Heavy-Duty Reducer
CR-30HX25H	39"	3" Heavy-Duty x 2-1/2" Heavy-Duty Reducer
CR-40HX30H	36"	4" Heavy-Duty x 3" Heavy-Duty Reducer
CR-40HX30H	39"	4" Heavy-Duty x 3" Heavy-Duty Reducer
CR-50HX40H	36"	5" Heavy-Duty x 4" Heavy-Duty Reducer
CR-50MX40H	36"	5" Metric x 4" Heavy-Duty Reducer



*Reducers are heat-treated

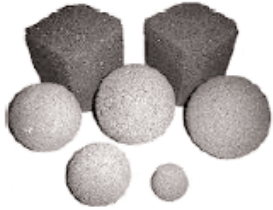
Weld-On Adapters

Part Number	Size	Description
1-1/2" HD WELD-ON	1-1/2"	Heavy-Duty
2" HD WELD-ON	2"	Heavy-Duty
2" VIC WELD-ON	2"	Victaulic
2-1/2" HD WELD-ON	2-1/2"	Heavy-Duty
3" HD WELD-ON	3"	Heavy-Duty
4" HD WELD-ON	4"	Heavy-Duty
5" HD WELD-ON	5"	Heavy-Duty
6" HD WELD-ON	6"	Heavy-Duty



All of Powertrack International's elbows and reducers are heat-treated and case-hardened.

Sponge Balls



Soft and hard available upon request.

Sponge Ball Specifications:

Part Number	Size	Description
2 Sponge-Ball-Med	2"	2" medium sponge ball
2-1/2 Sponge-Ball-Med	2-1/2"	2-1/2" medium sponge ball
3 Sponge-Ball-Med	3"	3" medium sponge ball
4 Sponge-Ball-Med	4"	4" medium sponge ball
5 Sponge-Ball-Med	5"	5" medium sponge ball
5 Sponge-Ball-Hex-Med	5"	5" medium hex sponge ball
6 Sponge-Ball-Med	6"	6" medium sponge ball

Concrete Pump Primer



Protect the inside of concrete pumping lines and prevent concrete from plugging by using concrete pump primer. Available in individually wrapped packets or by bucket, this non-alkaline concrete primer is supplied in powder or liquid form, is biodegradable, and is compatible with all kinds of pumps.

Shotcrete Nozzle Assemblies



Shotcrete Nozzle Assembly Specifications:

Part Number	Size	Description
SHOTCRETE-NOZZLE-32	2"	2" Shotcrete Nozzle Assembly

- Available in raised or grooved.
- Ultra light.
- Housing body made of aluminum.

Wall Hooks



Shotcrete Nozzle Wall Hook:

Part Number	Description
WALL HOOK	Shotcrete Nozzle Wall Hook

Hose Grips

NEW PRODUCT

Single & Dual Lift Eye Grips:



-Single, double, triple, and quad weave construction available.

Cord Cap Grip:



Jackhammer Hose Assemblies



Powertrack's *Jackhammer Hose Assemblies* are available in coupled lengths, double-banded, wrapped, with universal air couplings in 50 foot sections. Other lengths and crimped-on fittings are available upon request. Construction consists of a smooth, seamless EPDM/NR black rubber tube and braided polyester reinforcements. The abrasion and ozone-resistant cover is smooth, seamless EPDM/SBR. Standard color is red, but also available in yellow, blue, green, or grey with a 5,000 foot minimum order. The recommended temperature range is -28°F to +176°F.

Jackhammer Hose Specifications:

I.D. Inches	O.D. Inches	Working Pressure (psi)	Lbs. Per Foot
3/4"	1.14	300	.44

Air Tool Hose Assemblies

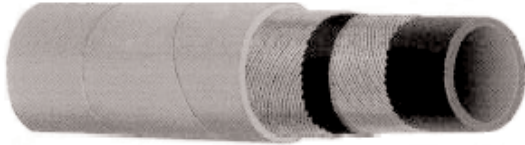


Powertrack's *Air Tool Hose Assemblies* are available in coupled lengths with brass 1/4" male NPT fittings crimped on each end. Available in 25, 50, 75, and 100 foot sections. Other lengths and fittings are available upon request. Tube construction is of smooth, seamless EPDM/NR black rubber and reinforcements are braided polyester. The cover is abrasion and ozone-resistant and constructed of smooth, seamless EPDM/SBR. Standard color is red, but also available in yellow, blue, green, or grey with a 5,000 foot minimum order. The recommended temperature range is -28°F to +176°F.

Air Hose Specifications:

I.D. Inches	O.D. Inches	Working Pressure (psi)	Lbs. Per Foot
3/8"	0.65	300	.16

Yellow Wire Air Hose



Powertrack's heavy-duty steel reinforced **Yellow Wire Air Hose** is designed for rough applications in mining, quarries, and construction industries where extra strength is needed to safely handle high pressure and high volume air requirements. Construction consists of a smooth black synthetic rubber tube, which is heat and oil mist-resistant. Reinforcements are spiralled high-tensile steel wire and the cover is made of abrasion and weather-resistant SBR rubber.

Yellow Wire Air Hose Specifications:

Part Number	Nominal Hose I.D. Inches	Nominal Hose O.D. Inches	Working Pressure (psi)	Burst Pressure (psi)	Plies of Rein.	Approx. Weight Lbs./ft.
PT16-YWLAIR-12	3/4"	1.22	800	2400	2	0.48
PT16-YWLAIR-16	1"	1.45	800	2400	2	0.60
PT16-YWLAIR-20	1-1/4"	1.77	700	2100	2	0.75
PT16-YWLAIR-24	1-1/2"	2.04	600	1800	2	0.90
PT16-YWLAIR-32	2"	2.59	600	1800	2	1.10
PT16-YWLAIR-40	2-1/2"	3.14	600	1800	2	1.45
PT16-YWLAIR-48	3"	3.77	600	1800	2	1.85
PT16-YWLAIR-64	4"	4.80	600	1800	4	2.60

Couplings are available for a variety of end configurations:



Boss Ground Joint Seal Wing Nut



Male Spud with Wing Nut Thread and N.P.T.



2-Bolt Type Boss Clamp



4-Bolt Type 4 Gripping Fingers

Boss Ground Joint Seal Stem



Female Spud with Wing Nut Thread and N.P.T.



Double Spud with Wing Nut Thread



4-Bolt Type 2 Gripping Fingers Boss Clamp



Contractor's Water Hose Assemblies



*Custom lengths available upon request.

Powertrack's **Contractor's Water Hose Assemblies** are available with brass ferrules and heavy-duty Garden Hose (GHT) fittings in coupled lengths of 50 feet. Other lengths and fittings are available upon request. The tube construction is smooth, seamless, black synthetic-blended rubber. Reinforcements are composed of high-strength polyester yarn. The cover is smooth, seamless, black/red synthetic-blended rubber. The recommended temperature range is -40°F to +176°F.

Specifications for Part Number PT-13-BKCWH

I.D. Inches	O.D. Inches	Working Pressure (psi)	Burst Pressure (psi)
5/8"	0.94	150	525
3/4"	1.08	150	450

Powertrack International carries a full line of products including, but not limited to:

Concrete Hoses ~ Concrete Hose Fittings and Accessories ~ Hydraulic Hoses, Fittings, and Adapters ~
Hydraulic Adapters ~ Air Hose Products ~ Industrial Hoses of all Types

HOSES

Concrete Pumping
Hydraulic up to 10K psi
Cat
Oilfield
Multi Bore
Rotary Drill
Waterblast
Thermoplastic to 40K psi
Sandblast
Air and Water
Single and Double Jacket Fire
Layflat Discharge
Sewer Cleaning
Vacuum
Petroleum Suction
PVC Suction
Tar and Asphalt
Fuel
Chemical
Food Grade
Marine
Steam
Teflon
Plastic
Ducting
Dock
Paint Spray
Twin Line
Material Handling
Firesafe
B.O.P.
Full Line of Industrial Hoses

COUPLINGS

Hydraulic
Metric
Industrial
Cam and Groove
Stainless Steel
Reusable
Crimped
Swaged
Push On
Brass
Expansion Joints

ADAPTERS

Metric
American
Pipe
Stainless Steel
Steel 37°
O-Ring
Brass 45°
Flange

CLAMPS

Concrete
Heavy-Duty Raised
Victaulic
2 - 4 Bolt
T-Bolt Banding
Worm Gear

QUICK DISCONNECTS

Hydraulic
Air
Industrial
Hammer Unions
Waterblast

***TUBING**

PVC
Urethane
Stainless Steel
Nylon
Plastic
Polypropylene
Steel
Teflon
Copper
Coiled
Viton
Tube Assemblies

***TUBE FITTINGS**

Metric
Stainless Steel
Steel
Compression
Brass
Flare

VALVES

Air
Ball
Check
Gate
Manifold

GAUGES

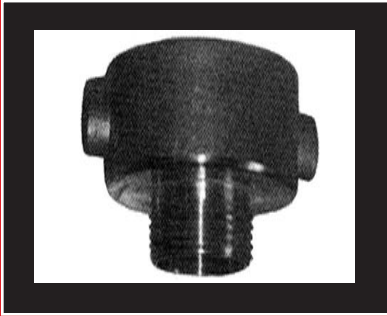
Compound
Liquid Level
Pressure

TESTING

Certified Testing
Available to 25K psi

***Metric Sizes Available**

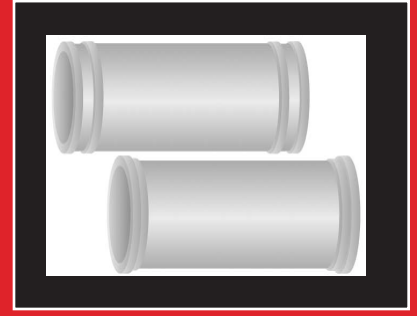
Powertrack International, Inc. has been supplying industrial hose and fitting products since 1974. Our continued success directly correlates to Powertrack's primary interest, customer satisfaction.



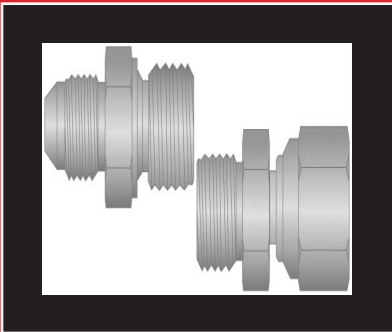
Hydrant Adapters



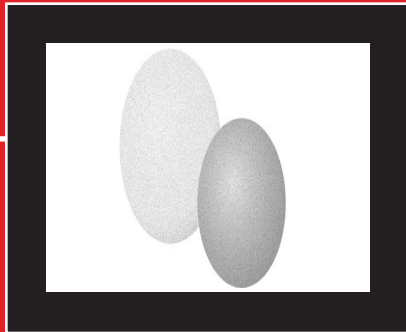
Hydrant Wrenches



Pipes



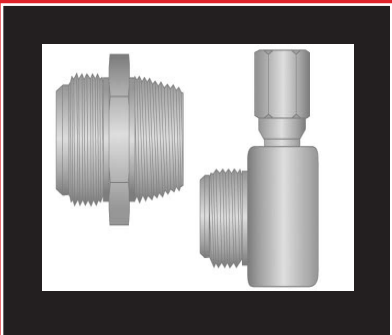
Metric Adapters



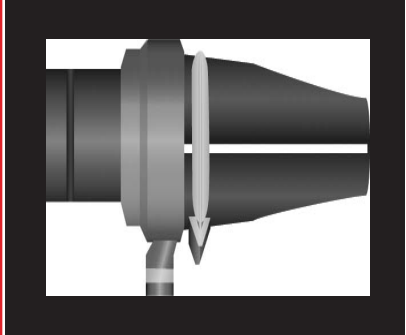
Sponge Balls



Concrete End Fittings



American Adapters



Nozzles



Metric I.D. Kit

Contact Powertrack International

1-800-365-1577

www.powertrackhose.com

sales@powertrackhose.com