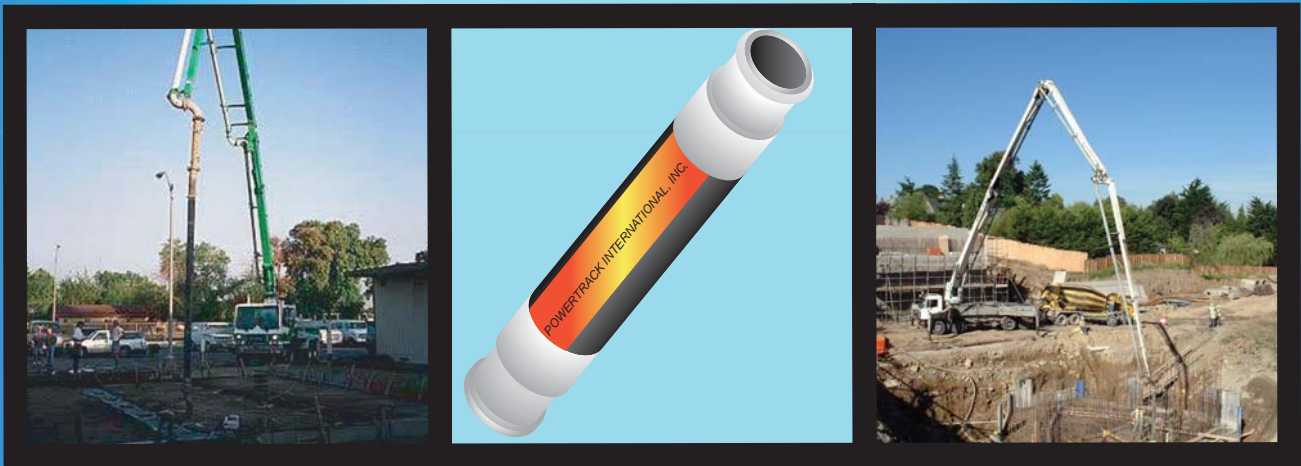


POWERTRACK[®] INTERNATIONAL

“HOSE PRODUCTS FOR INDUSTRY”

Concrete Pumping Hose Products



Premium Fabric and Steel Reinforced Concrete Hose ~ Cobra Concrete Hose ~ Yellowjacket Concrete Hose ~ Trimmy Hose ~ Metric Hydraulic Hose Kits ~ Elbows ~ Reducers ~ Concrete Hose Clamps ~ Weld-On Adapters ~ Concrete Hose Gaskets ~ Sponge Balls ~ Shotcrete Nozzle Assemblies ~ Wall Hooks ~ Contractor's Water Hose Assemblies ~ Bulk Red Air Hose Assemblies ~ Jackhammer Hose Assemblies ~ Air Tool Hose Assemblies ~ Pressure Washer Hose ~ Single and Double Jacket Contractor's Fire Hose ~ Sandblast Hose ~ PVC Suction Standard Duty Hose

**Phone: 1-800-365-1577
Fax: 1-412-787-8520**

www.powertrackhose.com

sales@powertrackhose.com



THREE CONVENIENT LOCATIONS NATIONWIDE



4625 Campbells Run Rd.
Pittsburgh, PA 15205
1-800-365-1577
Phone: (412) 787-4444
Fax: (412) 787-8520

721 W. 15th St.
Long Beach, CA 90813
1-800-925-3414
Phone: (562) 436-9088
Fax: (562) 436-5700

13225 FM 529, Bldg. #E
Houston, TX 77041
1-800-937-2269
Phone: (713) 466-1745
Fax: (713) 466-3716

www.powertrackhose.com
sales@powertrackhose.com

DUE TO CONTINUAL PRODUCT IMPROVEMENTS,
POWERTRACK INTERNATIONAL, INC. RESERVES THE RIGHT TO ALTER
SPECIFICATIONS WITHOUT PRIOR NOTICE.

Table of Contents

Premium Fabric Reinforced Concrete Hose	1
Premium Steel Reinforced Concrete Hose	1
Cobra Fabric Reinforced Concrete Hose	2
Yellowjacket Fabric Reinforced Concrete Hose	2
PT45 Rubber Cover / Trimmy Hose	3
Placement Pipe.	3
Grout and Plaster Hose.	4
Guniting Hose	4
Metric Hydraulic Hose Kits	5
Metric ID Kits	5
Custom Hydraulic Hose Assemblies.	6
Concrete Hose Clamps	7
Concrete Hose Gaskets	7
Elbows	8
Standard.	8
Reducing.	8
Reducers	8
Weld-On Adapters	8
Sponge Balls	9
Shotcrete Nozzle Assemblies	9
Wall Hooks	9
Jackhammer Hose Assemblies	10
Air Tool Hose Assemblies	10
Yellow Wire Air Hose.	11
Contractor's Water Hose Assemblies	11

Premium Fabric Reinforced Concrete Hose



Powertrack's *Premium Fabric Reinforced Concrete Hose* is designed for concrete pumping. It is constructed with an abrasion resistant rubber lining and high tensile steel wire reinforcements. The cover is abrasion, weather and ozone resistant SBR/EPDM black rubber. The recommended temperature range is -30°F to +158°F.

Premium Fabric Reinforced Concrete Hose Specifications:

Part Number	I.D. Inch	O.D. Inch	W.P. (psi)	B.P. (psi)	Plies of Rein.	Lbs./ft.
Premium-Fabric-24	1-1/2"	2.20	1200	2350	4	1.04
Premium-Fabric-32	2"	2.80	1000	3500	4	1.41
Premium-Fabric-40	2-1/2"	3.37	900	3150	4	2.04
Premium-Fabric-48	3"	4.02	800	3000	4	2.75
Premium-Fabric-56	3-1/2"	4.57	800	3000	4	3.47
Premium-Fabric-64	4"	5.16	800	2500	4	3.98
Premium-Fabric-72	4-1/2"	5.67	800	2500	8	4.50

Available fittings are: Victaulic 1-1/4" to 2", NPT and Heavy Duty- all sizes.

Premium Steel Reinforced Concrete Hose



Powertrack's *Premium Steel Reinforced Concrete Hose* is designed for concrete pumping. It is constructed with an abrasion resistant rubber lining and high tensile steel wire reinforcements. The cover is abrasion, weather and ozone resistant SBR/EPDM black rubber. The recommended temperature range is -40°F to +158°F.

Premium Steel Reinforced Concrete Hose Specifications:

Part Number	I.D. Inch	O.D. Inch	W.P. (psi)	B.P. (psi)	Plies of Rein.	Lbs./ft.
Premium-Steel-32	2"	2.68	900	1800	2	1.71
Premium-Steel-40	2-1/2"	3.35	900	1800	4	2.54
Premium-Steel-48	3"	3.94	900	1800	4	3.38
Premium-Steel-64	4"	5.04	900	1800	4	5.68
Premium-Steel-80	5"	6.10	900	1800	4	6.46

Available fittings are: Heavy Duty- all sizes and 5" Metric.

Cobra Fabric Reinforced Concrete Hose



Powertrack's *Cobra Fabric Reinforced Concrete Hose* is constructed using a smooth, highly abrasion resistant rubber lining and high tensile textile cord reinforcements. The cover is smooth, abrasion and weather resistant rubber. The recommended temperature range is -30°F to +158°F.

Cobra Fabric Reinforced Concrete Hose Specifications:

Part Number	I.D. Inch	O.D. Inch	W.P. (psi)	B.P. (psi)	Plies Rein.	Lbs./ft.
Cobra-20	1-1/4"	1.93	1200	2412	4	0.83
Cobra-24	1-1/2"	2.20	1200	2400	4	1.04
Cobra-32	2"	2.80	1000	3500	4	1.41
Cobra-40	2-1/2"	3.37	900	3150	4	2.04
Cobra-48	3"	4.02	800	3000	4	2.75
Cobra-56	3-1/2"	4.57	800	3000	4	3.47
Cobra-64	4"	5.16	800	2500	4	3.98
Cobra-72	4-1/2"	5.67	800	2500	8	4.50

Available fittings are: Victaulic 1-1/4" to 2", NPT and Heavy Duty- all sizes.

Yellowjacket Fabric Reinforced Concrete Pumping Hose



Designed for concrete pumping, Powertrack International's *Yellowjacket Fabric Reinforced Concrete Pumping Hose* contains an abrasion resistant rubber inner tube and durable fabric reinforcements. The cover is constructed with abrasion, weather and ozone resistant SBR/EPDM black rubber. The recommended temperature range for the Yellowjacket Hose is -40°F to +158°F.

Yellowjacket Fabric Reinforced Concrete Hose Specifications:

Part Number	I.D. Inch*	O.D. Inch*	W.P. (psi)	B.P. (psi)	Plies Rein.	Lbs./ft.
Yellowjacket-32	2"	2.80	1000	3500	6	1.48
Yellowjacket-40	2-1/2"	3.37	1000	3150	6	1.88
Yellowjacket-48	3"	4.02	1000	3000	8	3.02
Yellowjacket-56	3-1/2"	4.57	1000	3000	6	3.70
Yellowjacket-64	4"	5.15	1000	2500	8	4.37

Available fittings are: Victaulic 1-1/4" to 2", NPT and Heavy Duty- all sizes.

PT45 Rubber Cover / Trimmy Hose



Powertrack's *PT45 Rubber Cover / Trimmy Hose* is constructed of high tensile synthetic woven yarn fused in tough, highly resistant, seamless synthetic nitrile rubber. The temperature range is -35°F to +200°F intermittent. Highly resistant to abrasions, cold, heat and ozone. Chemically resistant to acids, alcohols, alkalis and hydrocarbons. Available in black or Hi-Visibility yellow. Other colors also available upon request.

Hydrostatic Pressure Test:

Black Part #	Yellow Part #	Diameter	Service Test Pressure (psi)	Acceptance Test Pressure (psi)	Burst Pressure (psi)
PT45-BK-24	PT45-YL-24	1-1/2"	250	500	800
PT45-BK-28	PT45-YL-28	1-3/4"	250	500	800
PT45-BK-32	PT45-YL-32	2"	250	500	750
PT45-BK-40	PT45-YL-40	2-1/2"	250	500	750
PT45-BK-48	PT45-YL-48	3"	250	500	750
PT45-BK-64	PT45-YL-64	4"	250	500	750
PT45-BK-80	PT45-YL-80	5"	200	400	600

PT45 Rubber Cover Hose is coupled with one internally expanded heavy duty fitting. Consult Powertrack International for other available lengths end styles.

This hose is to be used as a drop hose only for the concrete pumping industry.

Placement Pipe



Powertrack's *Placement Pipe* is available with a variety of wall thicknesses, both hardened and non hardened. It is supplied with heavy duty fittings. Other end types are available upon request.

Grout and Plaster Hose

Powertrack's *Plaster and Grout Hose* is constructed with one braid of high tensile steel wire reinforcement and a black, synthetic rubber tube. The cover is abrasion resistant black synthetic rubber. Constructed with NPT fittings and brass or aluminum camlock adapters.



Grout and Plaster Hose Specifications:

Part Number	I.D. (inch)	O.D. (inch)	W.P. (psi)	Burst Pressure (psi)	Lbs./ft.
PT-16-GROUT-16	1"	1.45	800	2400	0.64
PT-16-GROUT-20	1-1/4"	1.77	625	2500	0.85

Gunite Hose

Powertrack's *Gunite Hose* is designed for pumping cement and dry sand. It is constructed with a SBR, tan, non-marking, abrasion and ozone resistant cover. Reinforcement consists of high tensile textile cords with antistatic wire. The tube is tan rubber. The recommended temperature range is -22°F to +176°F.



Gunite Hose Specifications:

Part Number	I.D. (inch)	O.D. (inch)	Plies of Rein.	Working Pressure (psi)	Lbs./ft.
PT-GUNITE-16	1"	1.62	4	150	0.76
PT-GUNITE-20	1-1/4"	1.95	4	150	0.88
PT-GUNITE-24	1-1/2"	2.30	4	150	1.10
PT-GUNITE-32	2"	2.80	4	150	1.65
PT-GUNITE-40	2-1/2"	3.33	4	150	2.30

Brass, Swivel and Flanged Couplings are available for the Gunite Hose.



Brass Hose Couplings



Swivel Hose Couplings



Flanged Couplings

Metric Hydraulic Hose Kits

Hydraulic Hose Kit For Schwing Concrete Pumps	Hydraulic Hose Kit For Putzmeister Concrete Pumps
<p>Hoses Included:</p> <ol style="list-style-type: none"> 1. (1pc.) 3/8" Braided Hose, 14 feet, coupled L12 2. (1pc.) 1/2" Spiral Hose, 7 feet, coupled S16 3. (1pc.) 5/8" Spiral Hose, 7 feet, coupled S20 4. (1pc.) 3/4" Spiral Hose, 7 feet, coupled S25 5. (1pc.) 1-1/4" Spiral Hose, 7 feet, coupled S38 	<p>Hoses Included:</p> <ol style="list-style-type: none"> 1. (1pc.) 1/4" Braided Hose, 20 feet, coupled L8 2. (1pc.) 1/4" Braided Hose, 20 feet, coupled L10 3. (1pc.) 3/8" Braided Hose, 20 feet, coupled L12 4. (1pc.) 1/2" Spiral Hose, 18 feet, coupled L15 5. (1pc.) 5/8" Spiral Hose, 18 feet, coupled L18 6. (1pc.) 3/4" Spiral Hose, 18 feet, coupled S25 7. (1pc.) 1" Spiral Hose, 18 feet, coupled S30 8. (1pc.) 1-1/4" Spiral Hose, 10 feet, coupled S38

Custom hydraulic hose available upon request. All end configurations and adapters available as well.

Metric I.D. Kits

Part Number	Description of Items Included in Kit
PTK-1581P ID Kit	Complete Cap and Plug Kit for Putzmeister Concrete Pumps
PTK- 1581S ID Kit	Complete Cap and Plug Kit for Schwing Concrete Pumps

All kits contain metal plugs or caps in polypropylene clear boxes with ID labels for easy identification.

Customize Your Hydraulic Hose Assembly

How to Order Custom Hose Assemblies:

1. Choose hose I.D.
2. Choose working pressure
3. Pick fitting "A" for left side of hose
4. Pick fitting "B" for right side of hose
5. Choose the overall length
6. Call Powertrack

Part Number	Working Pressure (psi) of Hydraulic Hoses										
	Hose I.D.	1/4"	5/16"	3/8"	1/2"	5/8"	3/4"	1"	1-1/4"	1-1/2"	2"
R1T		2750	2500	2250	2000	1500	1250	1000	625	500	375
R2T		5000	4250	4000	3500	2750	2250	2000	1625	1250	1125
1SN		3265	3120	2610	2320	1890	1525	1275	915	725	580
2SN		5800	5100	4800	4000	3600	3100	2400	1800	1300	1160
R16		5000		4000	3500	2750	2250	2000			
R17		3045		3045	3045	3045	3045	3045			
R12					4000		4000	4000	3000	2500	2500
R9R		7000		6450	6015	5100	5100	4400	4000	3700	3000
4SH							6090	5510	5075	4205	3625
R13							5000	5000	5000	5000	5000
R15							6000	6000	6000	6000	

Available Fittings From Which To Customize Your Hose:

- | | |
|--|---|
| <ul style="list-style-type: none"> MP - Male NPT Solid MPX - Male NPT Swivel FP - Female NPT Solid FPX - Female NPSM Swivel FJX - Female JIC Swivel FJX45 - Female JIC Swivel 45° Elbow FJX90 - Female JIC Swivel 90° Elbow FJX90L - Female JIC Swivel 90° Elbow- Long Drop MJ - Male JIC Solid- 37° Flare MS - Male SAE Solid- 45° Flare FSX - Female SAE 45° Flare Swivel FSX90 - Female SAE 45° Flare Swivel- 90° Elbow FG - Female Grease Thread Solid- 1/2"-27 MORF - Male O Ring Face Seal ORFS - Female O Ring Face Seal ORFS45 - Female O Ring Face Seal- 45° Elbow ORFS90 - Female O Ring Face Seal- 90° Elbow ORFS90L - Female O Ring Face Seal- 90° Elbow- Long Drop ORB - Male O Ring Boss SFL - SAE Flange- Low Pressure (Code 61) SFL45 - SAE Flange 45° Elbow- Low Pressure (Code 61) SFL60 - SAE Flange 60° Elbow- Low Pressure (Code 61) SFL90 - SAE Flange 90° Elbow- Low Pressure (Code 61) SFH - SAE Flange- High Pressure (Code 62) SFH45 - SAE Flange 45° Elbow- High Pressure (Code 62) SFH90 - SAE Flange 90° Elbow- High Pressure (Code 62) | <ul style="list-style-type: none"> MIX - Male Inverted Swivel MIX45 - Male Inverted Swivel 45° Elbow MIX90 - Male Inverted Swivel 90° Elbow FBXF- Female British Swivel- Flat Face FBX - Female British Swivel FBX45 - Female British Swivel 45° Elbow FBX90 - Female British Swivel 90° Elbow FBX90c - Female British Swivel 90° Elbow- Compact Type MBP - Male British Parallel MBT - Male British Taper DKOL - Female Metric Swivel- Light Series DKOL45 - Female Metric Swivel 45° Elbow- Light Series DKOL90 - Female Metric Swivel 90° Elbow- Light Series DKOS - Female Metric Swivel- Heavy Series DKOS45 - Female Metric Swivel 45° Elbow- Heavy Series DKOS90 - Female Metric Swivel 90° Elbow- Heavy Series CEL - Male Metric- Light Series CES - Male Metric- Heavy Series FJIX - Female Swivel- Japanese Industrial Standard FKX - Female Swivel- Japanese Komatsu Type SFK - Split Flange- Komatsu Type SFK45 - Split Flange 45° Elbow- Komatsu Type SFK90 - Split Flange 90° Elbow- Komatsu Type PW - Pressure Washer KW - Pressure Washer Kaercher |
|--|---|

Concrete Hose Clamps

Part Number	System I.D. Size Inch	End Type	Weight Lbs.
SC15RG	1-1/2"	Heavy Duty	2.450
SC20RG	2"	Heavy Duty	3.500
SC25RG	2-1/2"	Heavy Duty	3.800
SC30RG	3"	Heavy Duty	4.700
SC40RG	4"	Heavy Duty	9.500
SC50RG	5"	Heavy Duty	11.80
SC30ADJ	3"	Heavy Duty Adjustable	7.000
SC40ADJ	4"	Heavy Duty Adjustable	11.00
SC50ADJ	5"	Heavy Duty Adjustable	12.00

**Victaulic and Metric Clamps also available.*



Heavy Duty Snap Couplings for concrete pumping systems.

Concrete Hose Gaskets

Part Number	System I.D. Size Inch	End Type	Weight Lbs.
G20HD	2"	Heavy Duty	0.12
G25HD	2-1/2"	Heavy Duty	0.12
G30HD	3"	Heavy Duty	0.16
G40HD	4"	Heavy Duty	0.28
G50HD	5"	Heavy Duty	0.30

**Victaulic and Metric Gaskets available upon request.*



Heavy Duty Gaskets for concrete pumping systems.

Elbows ~ Standard and Reducing

Part Number	Arc	Description
CE-20HX20H-45	45°	2" Heavy Duty x 2" Heavy Duty Elbow
CE-20HX20H-90	90°	2" Heavy Duty x 2" Heavy Duty Elbow
CE-25HX25H-45	45°	2-1/2" Heavy Duty x 2-1/2" Heavy Duty Elbow
CE-25HX25H-90	90°	2-1/2" Heavy Duty x 2-1/2" Heavy Duty Elbow
CE-30HX30H-45	45°	3" Heavy Duty x 3" Heavy Duty Elbow
CE-30HX30H-90	90°	3" Heavy Duty x 3" Heavy Duty Elbow
CE-40HX40H-45	45°	4" Heavy Duty x 4" Heavy Duty Elbow
CE-40HX40H-90	90°	4" Heavy Duty x 4" Heavy Duty Elbow
CE-50HX30H-90	90°	5" Heavy Duty x 3" Heavy Duty Reducing Elbow
CE-50HX40H-90	90°	5" Heavy Duty x 4" Heavy Duty Reducing Elbow
CE-50MX40H-90	90°	5" Metric x 4" Heavy Duty Reducing Elbow



*Manganese Steel

Reducers

Part Number	Length	Description
CR-20HX15H	15"	2" Heavy Duty x 1-1/2" Heavy Duty Reducer
CR-25HX20H	18"	2-1/2" Heavy Duty x 2" Heavy Duty Reducer
CR-25HX20H	36"	2-1/2" Heavy Duty x 2" Heavy Duty Reducer
CR-25HX20V	36"	2-1/2" Heavy Duty x 2" Victaulic Reducer
CR-30HX20H	12"	3" Heavy Duty x 2" Heavy Duty Reducer
CR-30HX20H	36"	3" Heavy Duty x 2" Heavy Duty Reducer
CR-30HX25H	36"	3" Heavy Duty x 2-1/2" Heavy Duty Reducer
CR-30HX25H	39"	3" Heavy Duty x 2-1/2" Heavy Duty Reducer
CR-40HX30H	36"	4" Heavy Duty x 3" Heavy Duty Reducer
CR-40HX30H	39"	4" Heavy Duty x 3" Heavy Duty Reducer
CR-50HX40H	36"	5" Heavy Duty x 4" Heavy Duty Reducer
CR-50MX40H	36"	5" Metric x 4" Heavy Duty Reducer



*Reducers are heat treated

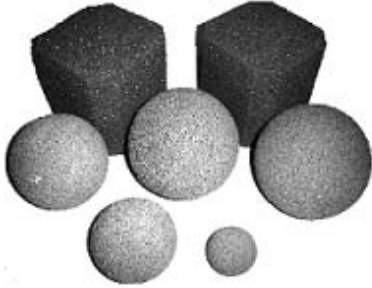
Weld-On Adapters

Part Number	Size	Description
1-1/2" HD WELD-ON	1-1/2"	Heavy Duty
2" HD WELD-ON	2"	Heavy Duty
2" VIC WELD-ON	2"	Victaulic
2-1/2" HD WELD-ON	2-1/2"	Heavy Duty
3" HD WELD-ON	3"	Heavy Duty
4" HD WELD-ON	4"	Heavy Duty
5" HD WELD-ON	5"	Heavy Duty
6" HD WELD-ON	6"	Heavy Duty



All of Powertrack International's elbows and reducers are heat treated and case hardened.

Sponge Balls



Soft and hard
 available upon request.

Sponge Ball Specifications:

Part Number	Size	Description
2 Sponge-Ball-Med	2"	2" medium sponge ball
2-1/2 Sponge-Ball-Med	2-1/2"	2-1/2" medium sponge ball
3 Sponge-Ball-Med	3"	3" medium sponge ball
4 Sponge-Ball-Med	4"	4" medium sponge ball
5 Sponge-Ball-Med	5"	5" medium sponge ball
5 Sponge-Ball-Hex-Med	5"	5" medium hex sponge ball
6 Sponge-Ball-Med	6"	6" medium sponge ball

Shotcrete Nozzle Assemblies



Shotcrete Nozzle Assembly Specifications:

Part Number	Size	Description
SHOTCRETE-NOZZLE-32	2"	2" Shotcrete Nozzle Assembly

- Available in raised or grooved.
- Ultra light.
- Housing body made of aluminum.

Wall Hooks



Shotcrete Nozzle Wall Hook:

Part Number	Description
WALL HOOK	Wall Hook

Jackhammer Hose Assemblies



Powertrack's *Jackhammer Hose Assemblies* are available in coupled lengths, double banded, wrapped, with universal air couplings in 50 foot sections. Other lengths and crimped-on fittings are available upon request. Construction consists of a smooth, seamless EPDM/NR black rubber tube and braided polyester reinforcements. The abrasion and ozone resistant cover is EPDM/SBR. Standard color is red, but also available in yellow, blue, green or grey with a 5000 foot minimum order. The recommended temperature range is -28°F to +176°F.

Jackhammer Hose Specifications:

I.D. Inches	O.D. Inches	Working Pressure (psi)	Lbs. Per Foot
3/4"	1.141	300	.44

Air Tool Hose Assemblies



Powertrack's *Air Tool Hose Assemblies* are available in coupled lengths with brass 1/4" male NPT fittings crimped on each end. Available in 25, 50, 75 and 100 foot sections. Other lengths and fittings are available upon request. Tube construction is of smooth, seamless EPDM/NR black rubber and reinforcements are braided polyester. The cover is abrasion and ozone resistant and constructed of smooth, seamless EPDM/SBR. Standard color is red, but also available in yellow, blue, green or grey with a 5,000 foot minimum order. The recommended temperature range is -28°F to +176°F.

Air Hose Specifications:

I.D. Inches	O.D. Inches	Working Pressure (psi)	Lbs. Per Foot
3/8"	0.649	300	.16

Yellow Wire Air Hose

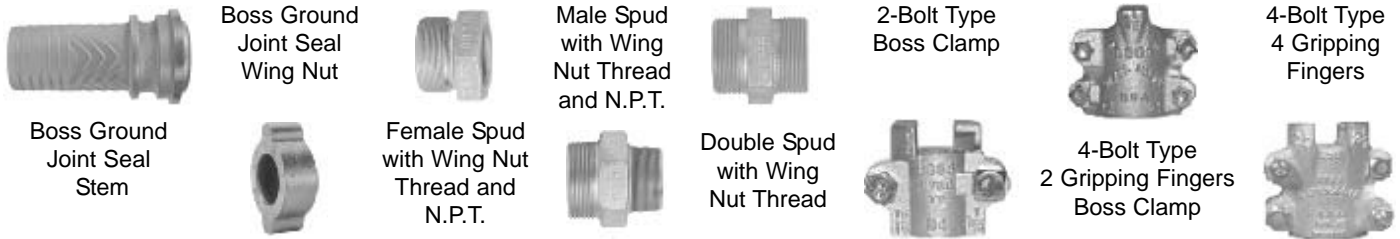


Powertrack's heavy duty steel reinforced *Yellow Wire Air Hose* is designed for rough applications in mining, quarries and construction industries where extra strength is needed to safely handle high pressure and high volume air requirements. Construction consists of a black smooth synthetic rubber tube which is heat and oil mist resistant. Reinforcements are spiralled high tensile steel wire while the yellow cover is made of abrasion and weather resistant SBR rubber.

Yellow Wire Air Hose Specifications:

Nominal Hose I.D. In.	Nominal Hose O.D. In.	Working Pressure (psi)	Burst Pressure (psi)	Plies of Reinforcement	Approx. Weight Lbs./ft.
3/4"	1.22	800	2400	2	0.48
1"	1.45	800	2400	2	0.60
1-1/4"	1.77	700	2100	2	0.75
1-1/2"	2.04	600	1800	2	0.90
2"	2.59	600	1800	2	1.10
2-1/2"	3.14	600	1800	2	1.45
3"	3.77	600	1800	2	1.85
4"	4.80	600	1800	4	2.60

Couplings are available for a variety of end configurations.



Contractor's Water Hose Assemblies



*Custom lengths available upon request.

Powertrack's *Contractor's Water Hose Assemblies* are available with brass ferrules and heavy duty Garden Hose (GHT) fittings in coupled lengths of 50 feet. Other lengths and fittings are available upon request. The tube construction is smooth, seamless black synthetic blended rubber. Reinforcements are composed of high strength polyester yarn. The cover is smooth, seamless black/red synthetic blended rubber. The recommended temperature range is -40°F to +176°F.

Specifications for Part Number PT-13-BKCWH

I.D. Inches	O.D. Inches	Working Pressure (psi)	Burst Pressure (psi)
5/8"	0.944	150	525
3/4"	1.080	150	450

Powertrack International carries a full line of products including, but not limited to:

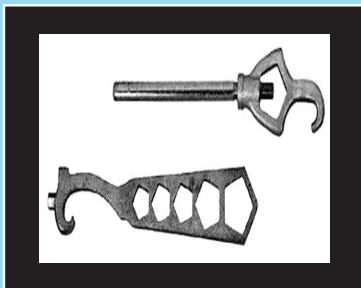
Concrete Hoses ~ Concrete Hose Fittings and Accessories ~ Hydraulic Hoses, Fittings and Adapters ~
Hydraulic Adapters ~ Air Hose Products ~ Industrial Hoses of all Types

<p>HOSES Concrete Pumping Hydraulic up to 10K psi Cat Oilfield Multi Bore Rotary Drill Waterblast Thermoplastic to 40K psi Sandblast Air and Water Single and Double Jacket Fire Layflat Discharge Sewer Cleaning Vacuum Petroleum Suction PVC Suction Tar and Asphalt Fuel Chemical Food Grade Marine Steam Teflon Plastic Ducting Dock Paint Spray Twin Line Material Handling Firesafe B.O.P. Full Line of Industrial Hoses</p>	<p>COUPLINGS Hydraulic Metric Industrial Cam and Groove Stainless Steel Reusable Crimped Swaged Push On Brass Expansion Joints</p> <p>ADAPTERS Metric American Pipe Stainless Steel Steel 37° O-Ring Brass 45° Flange</p> <p>CLAMPS Concrete Heavy Duty Raised Victaulic 2 - 4 Bolt T-Bolt Banding Worm Gear</p> <p>QUICK DISCONNECTS Hydraulic Air Industrial Hammer Unions Waterblast</p>	<p>TUBING* PVC Urethane Stainless Steel Nylon Plastic Polypropylene Steel Teflon Copper Coiled Viton Tube Assemblies</p> <p>TUBE FITTINGS* Metric Stainless Steel Steel Compression Brass Flare</p> <p>VALVES Air Ball Check Gate Manifold</p> <p>GAUGES Compound Liquid Level Pressure</p> <p>TESTING Certified Testing Available to 25K psi</p> <p>*Metric Sizes Available</p>
---	---	---

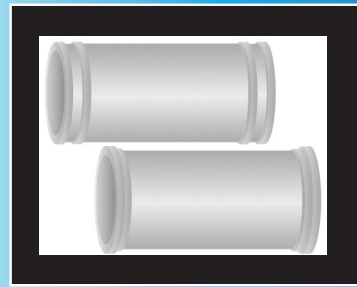
Powertrack International, Inc. has been supplying industrial hose and fitting products since 1974. Our continued success directly correlates to Powertrack's primary interest, *customer satisfaction*.



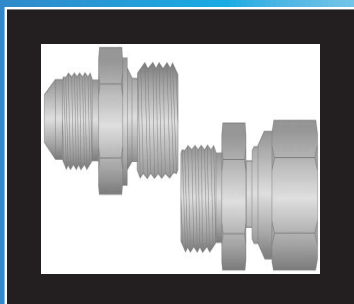
Hydrant Adapters



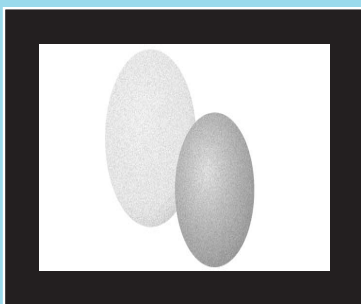
Hydrant Wrenches



Pipes



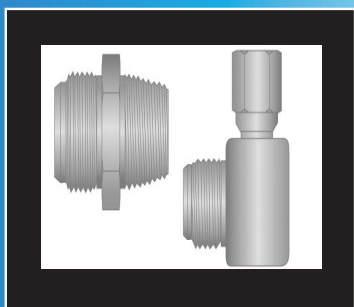
Metric Adapters



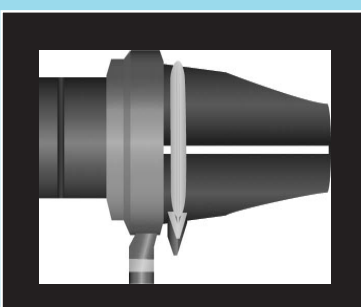
Sponge Balls



Concrete End
Fittings



American Adapters



Nozzles



Metric I.D. Kit

Contact Powertrack International, Inc.

Phone: 1-800-365-1577

Fax: 1-412-787-8520

www.powertrackhose.com

sales@powertrackhose.com